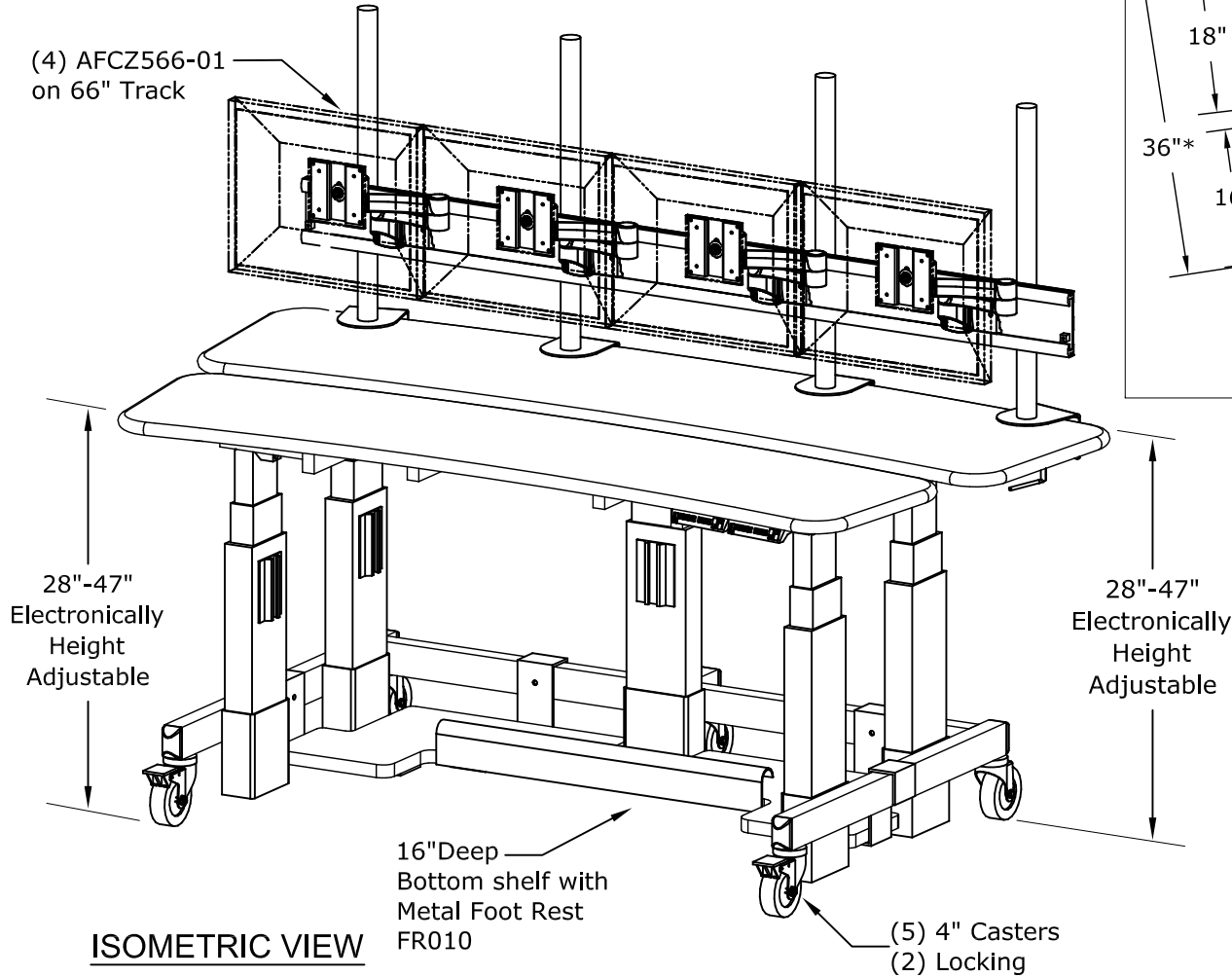
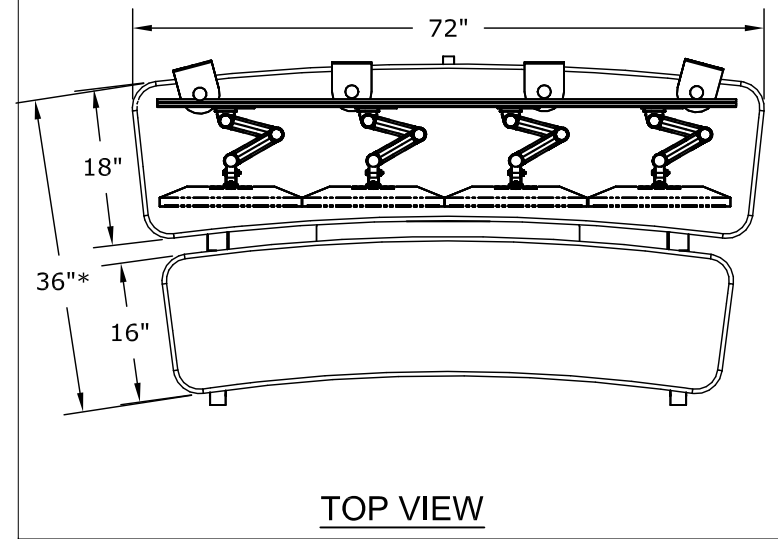


(4) AFCZ566-01  
on 66" Track



NOTES :  * Overall size may have ± 3/8 tolerance	MATERIAL :  TOLERANCES UNLESS OTHERWISE SPECIFIED FRACTIONAL ±1/64 2 PLC. DEC. ±.01 3PLC. DEC. ±.001 ANGULAR ±.5° FINISH √	Drawn By: PR	Date:03/24/2010	DESCRIPTION :  <b>Dual Tier</b>
		A P P R O V E D		USED ON :
		ENG :		PATH : Final Assmbl/Maxflex/DT/7200
		MFG :		PDF NAME:
		QA :		DT7236_B_S_0000_4FZ_00_B_FR0-01
		SCALE : N.T.S.	SHEET : 1 OF 1	SIZE A