

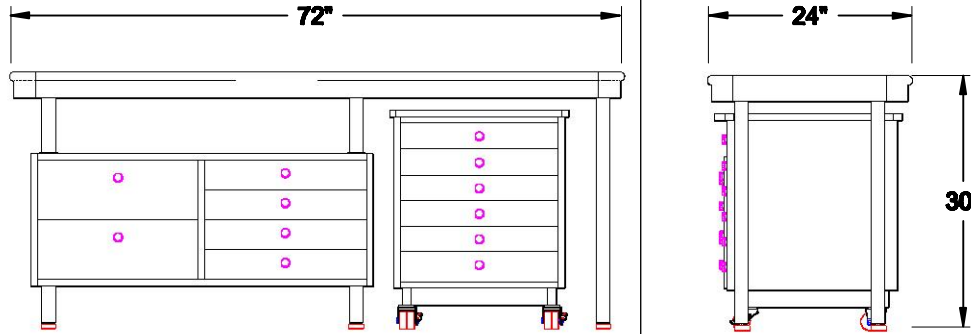


13-16 133 PLACE
COLLEGE POINT, NY 11356

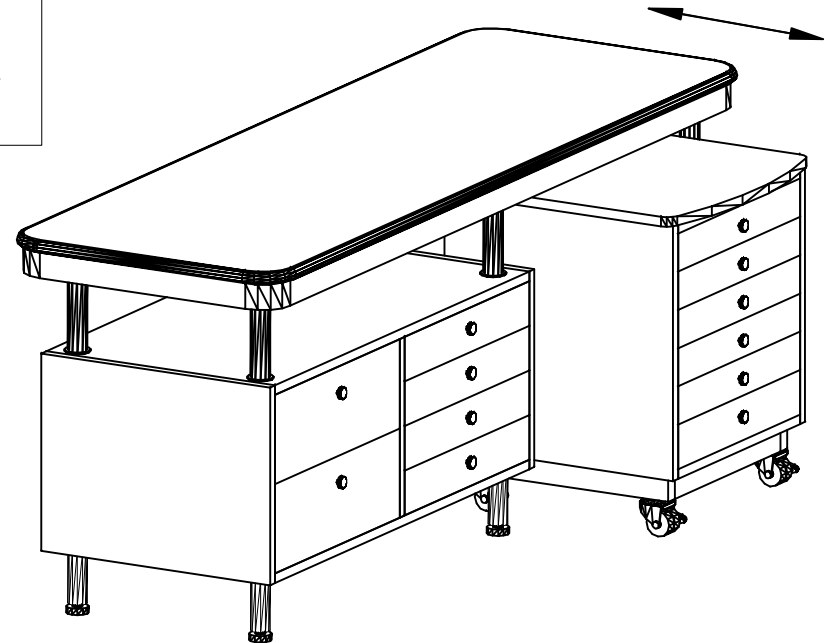
TEL: (718) 747-0237
FAX: (718) 747-0726

THE PLANS AND DRAWINGS CONTAINED HEREIN ARE PROPRIETARY AND MAY NOT BE COPIED OR REPRODUCED MECHANICALLY, ELECTRONICALLY OR BY ANY MEANS WITHOUT WRITTEN PERMISSION FROM AFC INDUSTRIES, INC.

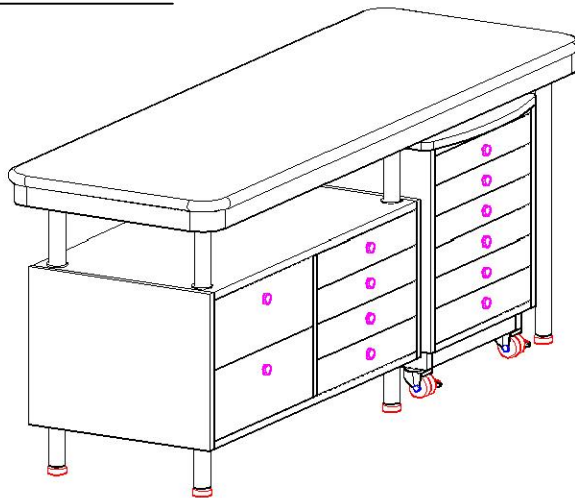
FRONT AND RIGHT SIDE VIEW



ISOMETRIC VIEW



ISOMETRIC VIEW



NOTES:

MATERIAL:

TOLERANCES UNLESS OTHERWISE SPECIFIED

FRACTIONAL ±1/64

2 PLC. DEC. ±.01

3PLC. DEC. ±.001

ANGULAR

FINISH



DRAWN BY: KH

DATE: 11-02-09

DESCRIPTION:

LABOR DESK

APPROVED

USED ON:

PATH:

L:\Fin.Assambl.DTL

ENG:

MFG:

QA:

PDF NAME:

D0106

REV: SIZE

A

SHEET: 10F1