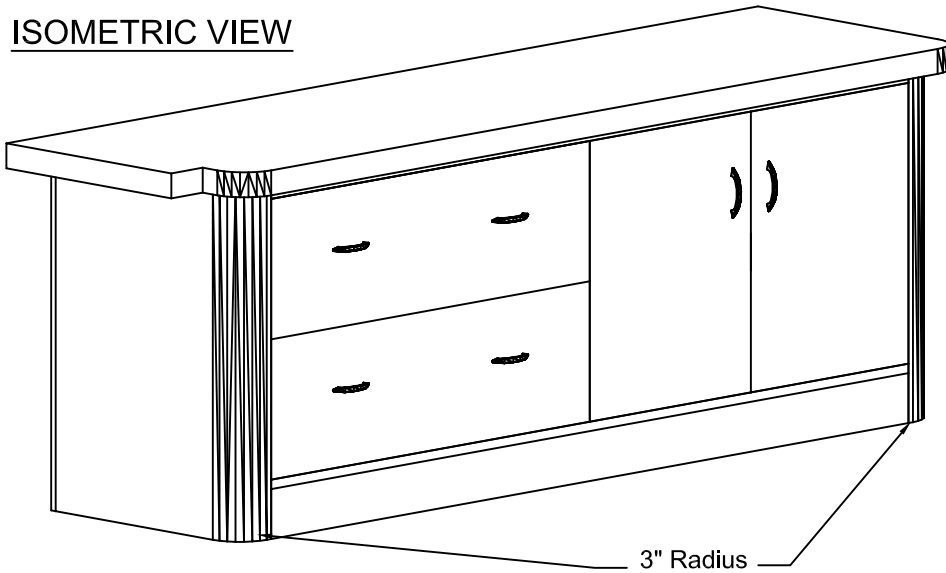
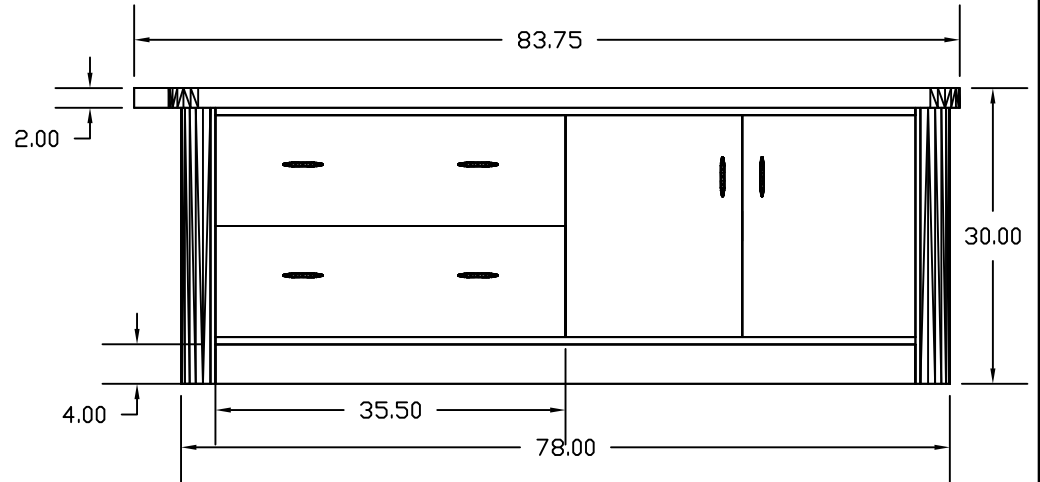


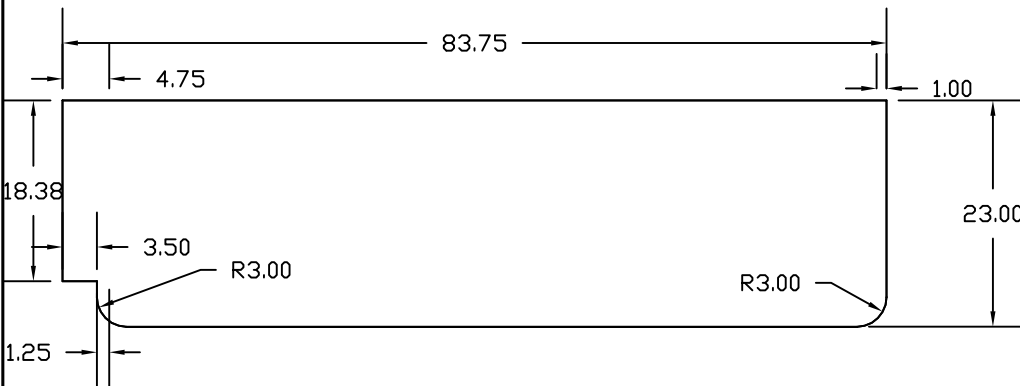
ISOMETRIC VIEW



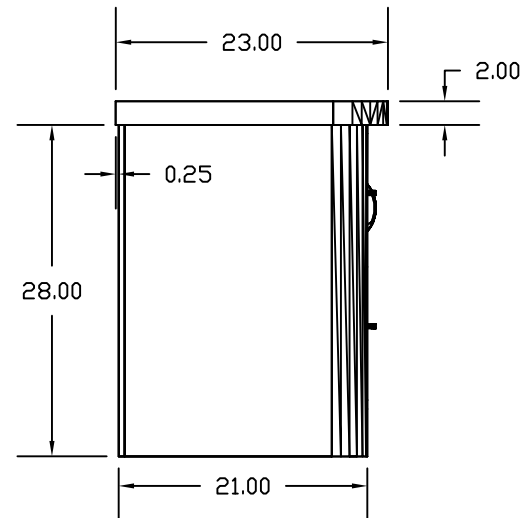
FRONT VIEW



TOP VIEW



TOP VIEW



NOTES :

MATERIAL :

DRAWN BY : KH

DATE: 05-10-10

DESCRIPTION :

A P P R O V E D

TOLERANCES UNLESS OTHERWISE SPECIFIED

FRACTIONAL ±1/64
2 PLC. DEC. ±.01
3PLC. DEC. ±.001

ANGULAR ±.5°
FINISH 32/√

ENG :

MFG :

QA :

USED ON :

PATH : F.ASSY\CABINETRY

PDF NAME: Cabinet_2_01

REV: SIZE
. A