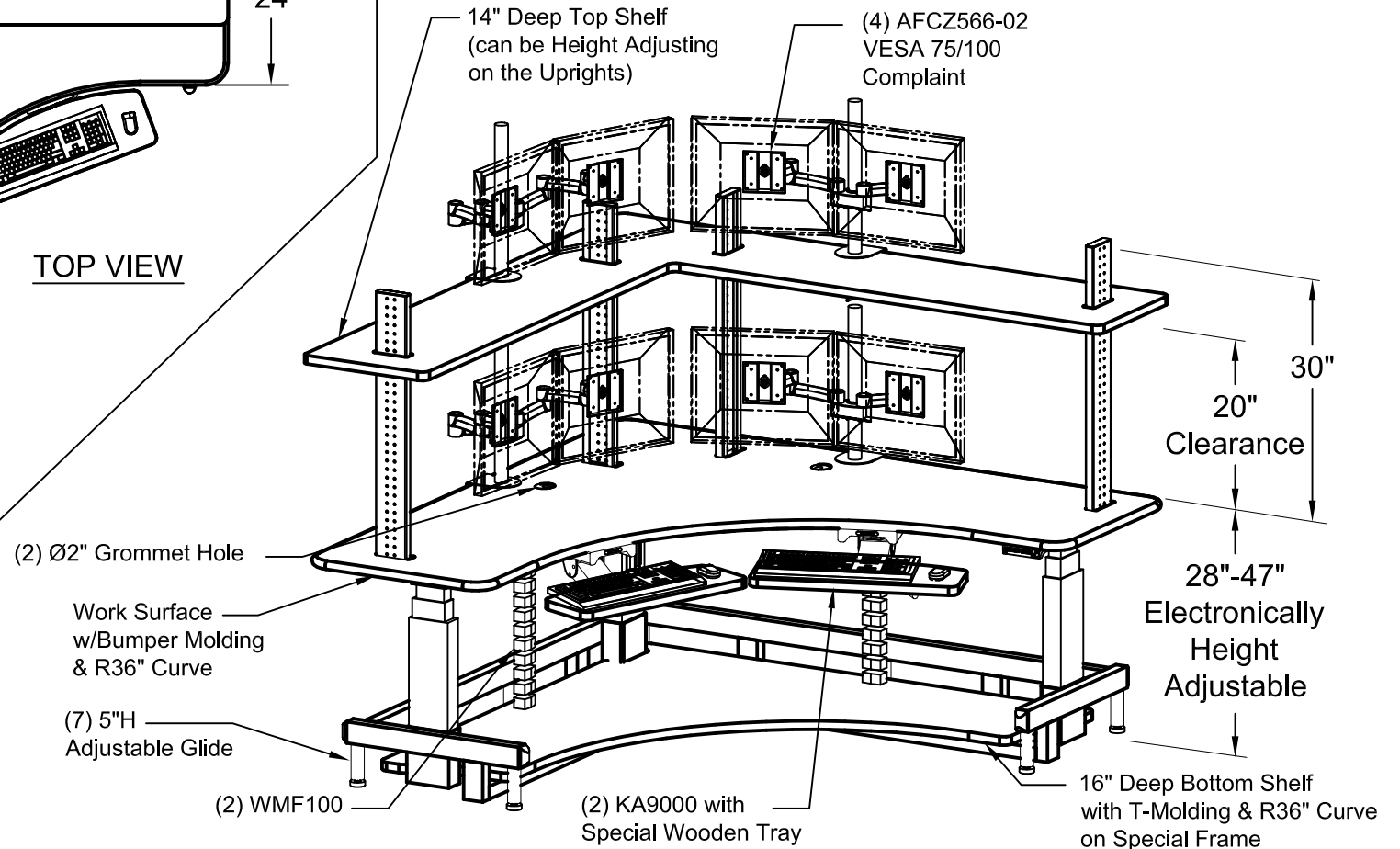


**ISOMETRIC VIEW**



NOTES :	MATERIAL :	DRAWN BY : BD	DATE: 11/24/10	DESCRIPTION : CST 72722424	
	TOLERANCES UNLESS OTHERWISE SPECIFIED FRACTIONAL ±1/64 2 PLC. DEC. ±.01 3PLC. DEC. ±.001 ANGULAR FINISH	APPROVED		USED ON :	REV: SIZE
		ENG :		PATH :	
		MFG :		PDF NAME:	
		QA :		CST72722424 B C 0000 8FZ T F 01	A
		NOT TO SCALE	SHEET : 1 OF 1		