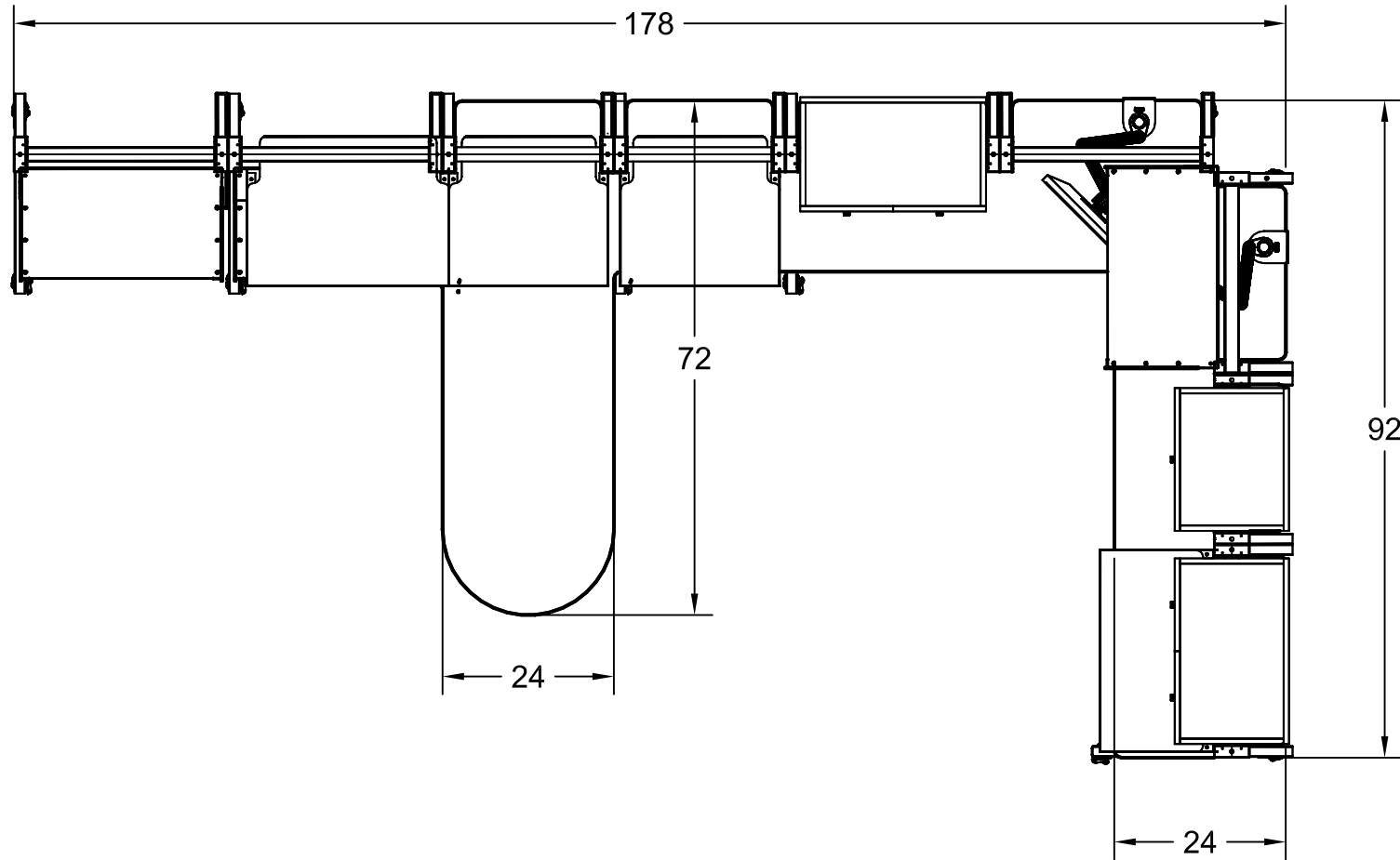


ISOMETRIC VIEW

NOTES :	MATERIAL :	DRAWN BY : BD	DATE : 04/27/10	DESCRIPTION :
	TOLERANCES UNLESS OTHERWISE SPECIFIED FRACTIONAL ±1/64 2 PLC. DEC. ±.01 3PLC. DEC. ±.001 ANGULAR ±.5° FINISH ∇_{32}	APPROVED		Corner Smart Rack
		ENG :		USED ON :
		MFG :		PATH :
		QA :		\FinAssy\Carts&Racks\SR\CSR\
		NOT TO SCALE	SHEET : 1 OF 2	PDF NAME : CSR1789286-01
				REV: SIZE . A



TOP VIEW

NOTES :	MATERIAL :	DRAWN BY : BD	DATE: 04/27/10	DESCRIPTION :
	TOLERANCES UNLESS OTHERWISE SPECIFIED FRACTIONAL ±1/64 2 PLC. DEC. ±.01 3 PLC. DEC. ±.001 ANGULAR ±5° FINISH $\sqrt{32}$	APPROVED		Corner Smart Rack
		ENG :		USED ON :
		MFG :		PATH :
		QA :		\FinAssy\Carts&Racks\SR\CSR\
		NOT TO SCALE	SHEET : 2 OF 2	PDF NAME: CSR1789286-01
				REV: SIZE . A