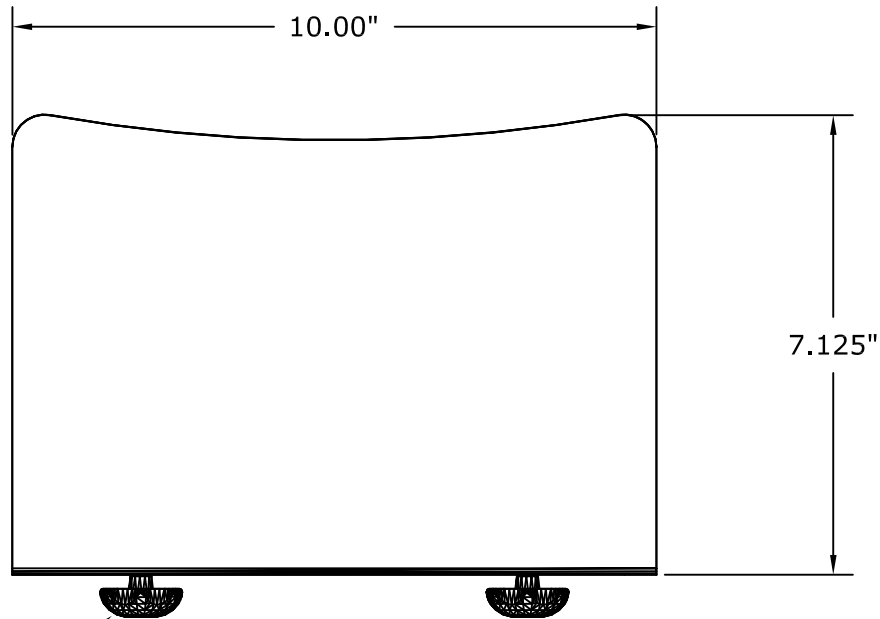
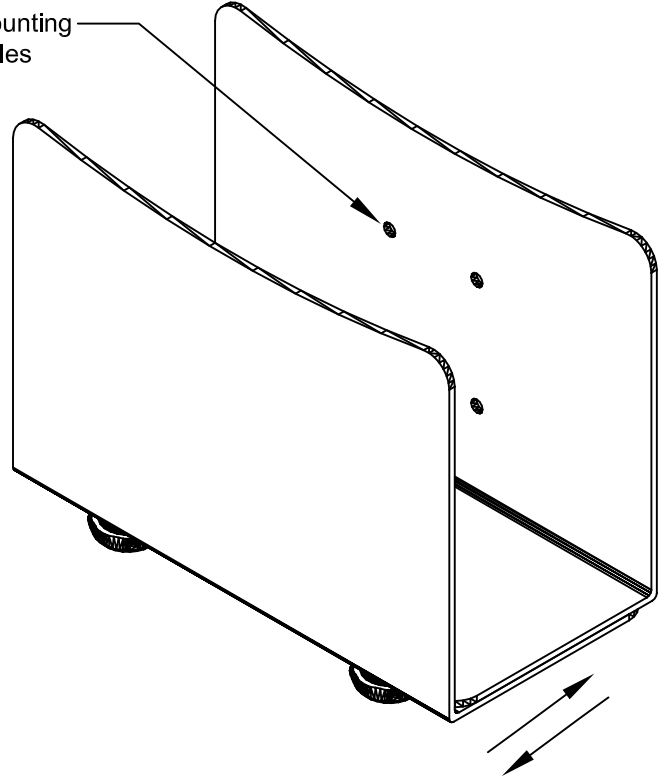


Mounting Holes



(2) Knobs  
for adjusting width

MATERIAL :	DRAWN BY : PR	DATE: 04/08/2010	DESCRIPTION :		
	A P P R O V E D		CPU 101		
TOLERANCES UNLESS OTHERWISE SPECIFIED FRACTIONAL ±1/64 2 PLC. DEC. ±.01 3PLC. DEC. ±.001 ANGULAR ±.5° FINISH √32	ENG :		USED ON :		
	MFG :		PATH : L: \Final Assem\Accessories\CPU&UPS\		
	QA :		NUMBER :	CPU-101	LAYER :
	SCALE: N.T.S.	SHEET : 1 OF 1		REV:	SIZE A