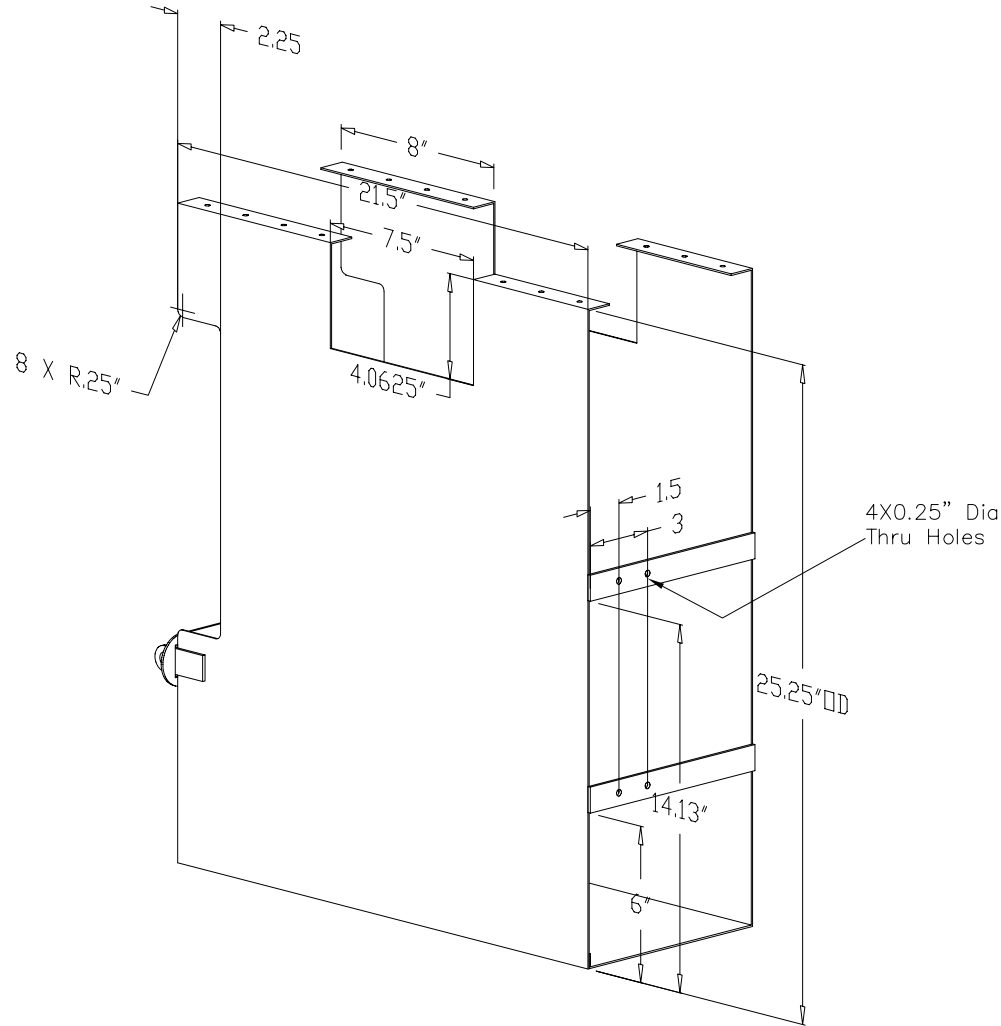


NOTES :	MATERIAL :	DRAWN BY : VGM	DATE: 02/15/05	DESCRIPTION : Custom CPU Holder
	AS NOTED ABOVE	A P P R O V E D		
	TOLERANCES UNLESS OTHERWISE SPECIFIED	ENG :		USED ON :
	FRACTIONAL ±1/64 2 PLC. DEC. ±.01 3PLC. DEC. ±.001 ANGULAR ±.5° FINISH 32/√	MFG :		PATH : Custom Work\Customer\Analogic
		QA :		PDF NAME: Custom CPU Holder_REV_C_Front Iso View
		SCALE : N.T.S.		



NOTES :	MATERIAL :	DRAWN BY : VGM	DATE: 02/15/05	DESCRIPTION : Custom CPU Holder
	AS NOTED ABOVE	A P P R O V E D		
	TOLERANCES UNLESS OTHERWISE SPECIFIED	ENG :		USED ON :
	FRACTIONAL ±1/64 2 PLC. DEC. ±.01 3PLC. DEC. ±.001 ANGULAR ±.5° FINISH √ <sub>32</sub>	MFG :		PATH : Custom Work\Customer\Analog\CPU Holder
		QA :		PDF NAME: Custom CPU Holder_REV_C_Rear Iso View
		SCALE : N.T.S.		