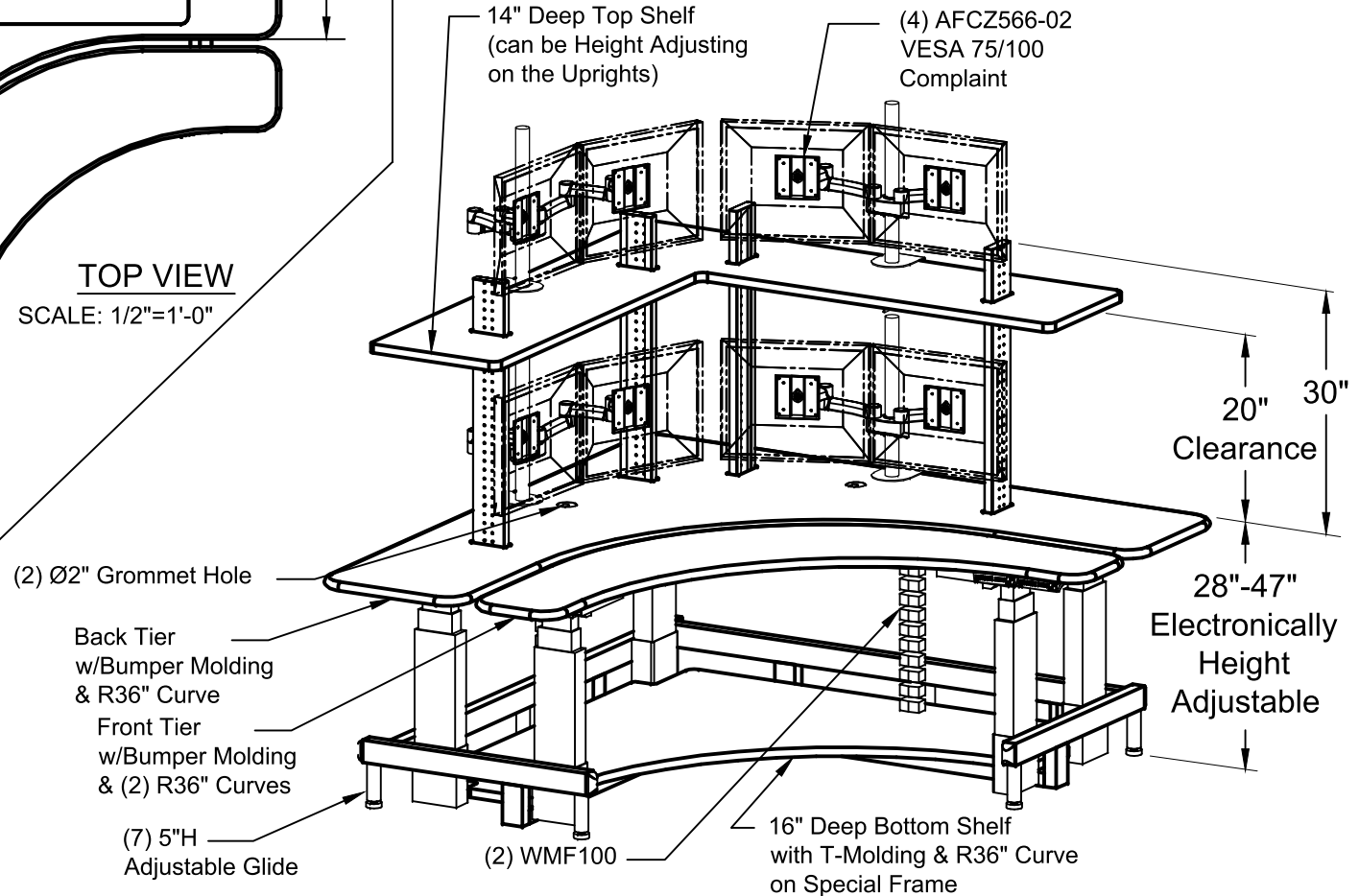


ISOMETRIC VIEW
SCALE ~1:20



NOTES :	MATERIAL :	DRAWN BY: BD	DATE: 12/01/10	DESCRIPTION :
	TOLERANCES UNLESS OTHERWISE SPECIFIED FRACTIONAL ±1/64 2 PLC. DEC. ±.01 3 PLC. DEC. ±.001 ANGULAR ±.5° FINISH	APPROVED		CST7272
		ENG :		USED ON :
		MFG :		PATH :
		QA :		\Customers\Summa Health\
		SCALE AS SHOWN	SHEET: 1 OF 1	PDF NAME: CDT7272_B_R_0000_8FZ_T_F_01
				REV: SIZE A