

(3) AFC Z 566 02
with AFC 17H
75/100 VESA Compliant

Working Surfaces
with Bumper Molding

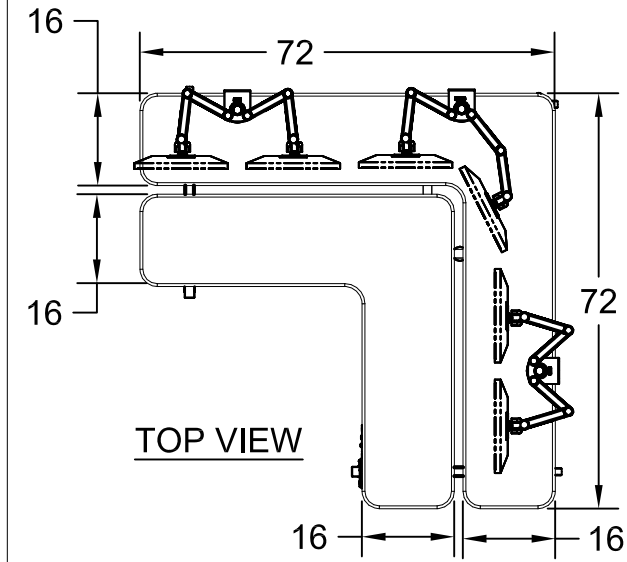
28"-47"
Electronically
Height
Adjustable

28"-47"
Electronically
Height
Adjustable

(2)CPU13-25

(6) 4" Casters
(2) Locking

ISOMETRIC VIEW



NOTES :

MATERIAL :
AS NOTED ABOVE

TOLERANCES UNLESS OTHERWISE SPECIFIED
FRACTIONAL ±1/64
2 PLC. DEC. ±.01
3PLC. DEC. ±.001
ANGULAR ±.5°
FINISH ±.5/32

DRAWN BY : BD/PR

DATE: 12/27/10

DESCRIPTION : CCDT7272

A P P R O V E D

ENG :

MFG :

QA :

USED ON :

PATH : F:\ASSY\MAXFLEX \CORNER DT\CCDT\

PDF NAME: CCDT72721616_S_B_0000_00_6FZ_2C_00_000_01

SCALE : N.T.S.

SHEET : 1 OF 1