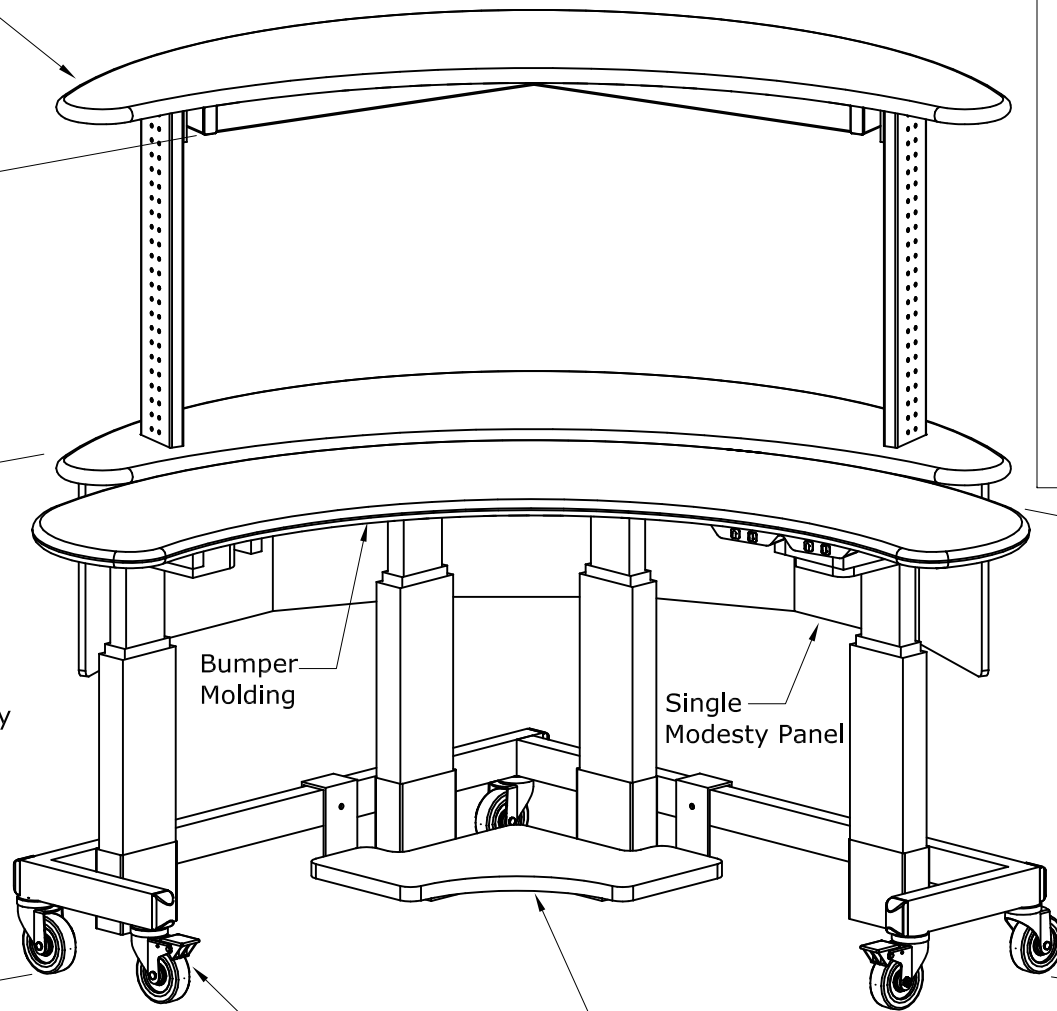


Top Shelf  
16" Deep

25"  
clearance

28"-47"  
Electronically  
Height  
Adjustable

**ISO VIEW**

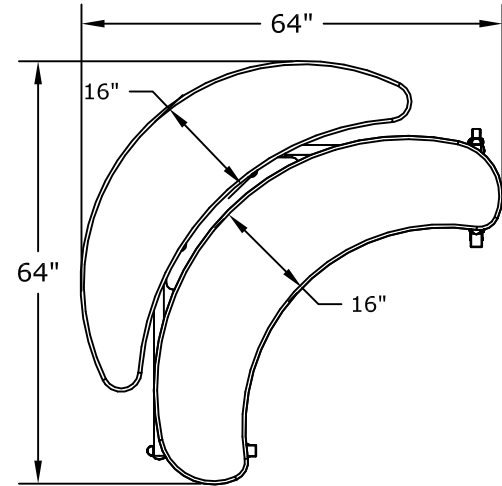


Bumper  
Molding

Single  
Modesty Panel

(5) 4" Casters  
(2) Locking

20"x20" Split  
Bottom Shelf



**TOP VIEW**

28"-47"  
Electronically  
Height  
Adjustable

NOTES :

MATERIAL :  
AS NOTED ABOVE

TOLERANCES UNLESS OTHERWISE SPECIFIED  
 FRACTIONAL ±1/64  
 2 PLC. DEC. ±.01  
 3PLC. DEC. ±.001  
 ANGULAR ±.5°  
 FINISH √

DRAWN BY : PR

DATE: 07/09/2012

A P P R O V E D

DESCRIPTION :  
BANANA Corner Dual Tier-BDT6464

ENG :

MFG :

QA :

SCALE : N.T.S.

SHEET : 1 OF 1

USED ON :

PATH :  
FAssmby\Maxflex\Dual Tier\Corner\BDT

NUMBER :  
BDT6464\_B\_S\_0000\_00\_00\_T\_SB\_000\_01