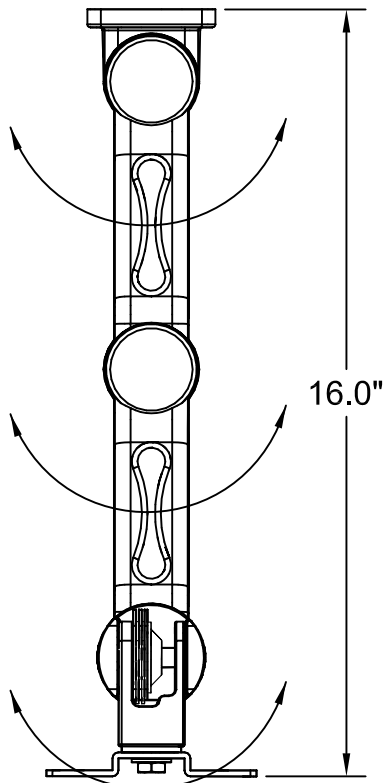
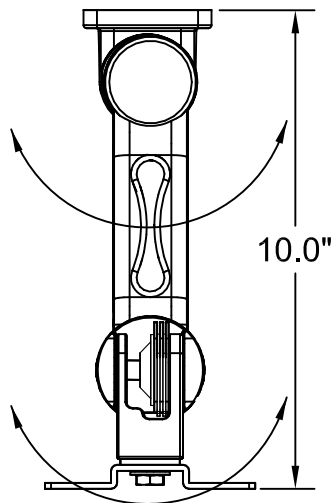


TOP VIEWS

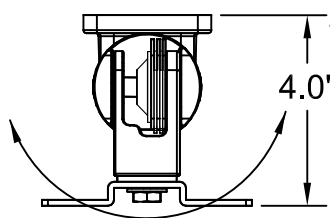
AFCZ6-66-WM
Monitor Arm



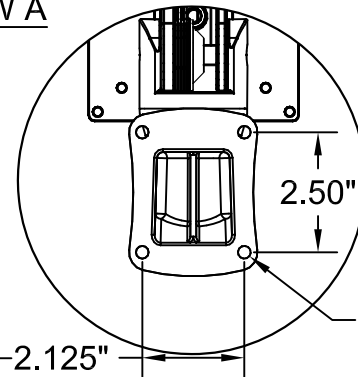
AFCZ6-60-WM
Monitor Arm



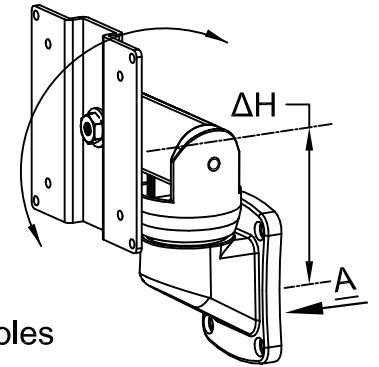
AFCZ6-00-WM
Monitor Arm



VIEW A

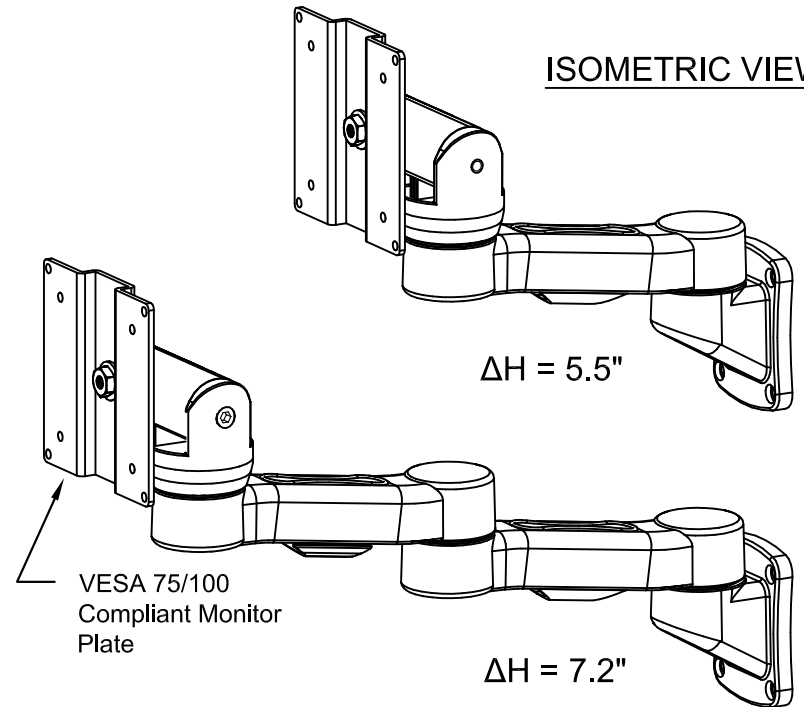


Ø.266" (4) Holes



ΔH = 3.7"

ISOMETRIC VIEWS



VESA 75/100
Compliant Monitor
Plate

ΔH = 7.2"

NOTES: 1. All arm connection with another arm, wall mount flange or VESA plate can rotate 360° and are limited only by wires, walls, monitors or other outside items.
2. ΔH - difference in center's levels of flange & VESA plate (when it's in vertical position).

MATERIAL :

TOLERANCES UNLESS OTHERWISE SPECIFIED
FRACTIONAL ±1/64
2 PLC. DEC. ±.01

ANGULAR FINISH ±5°/32

DRAWN BY: BD
DATE: 10/16/13
APPROVED
ENG :
MFG :
QA :
SCALE: ~3" = 1' - 0" SHEET: 1 of 1

DESCRIPTION :
Wall Mount AFCZ6XX Holder
USED ON :
PATH :
\\Fin.Assy\Accessories\MonitorArms\Z600-Arms\
PDF NAME: AFCZ6xx-WM_01
REV: A