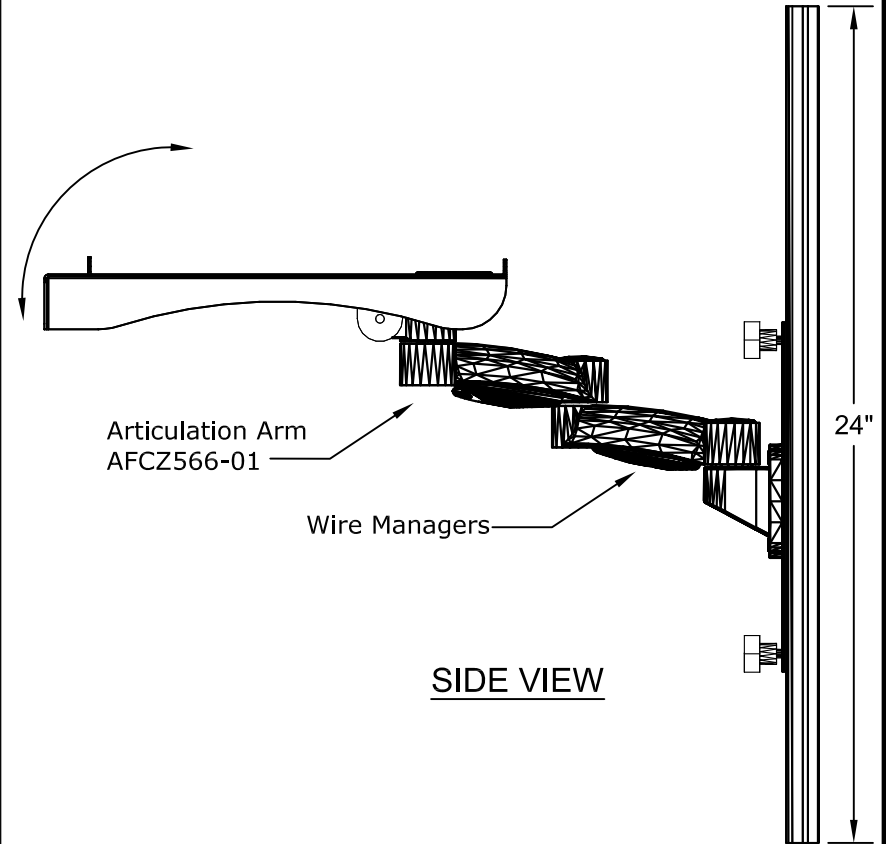
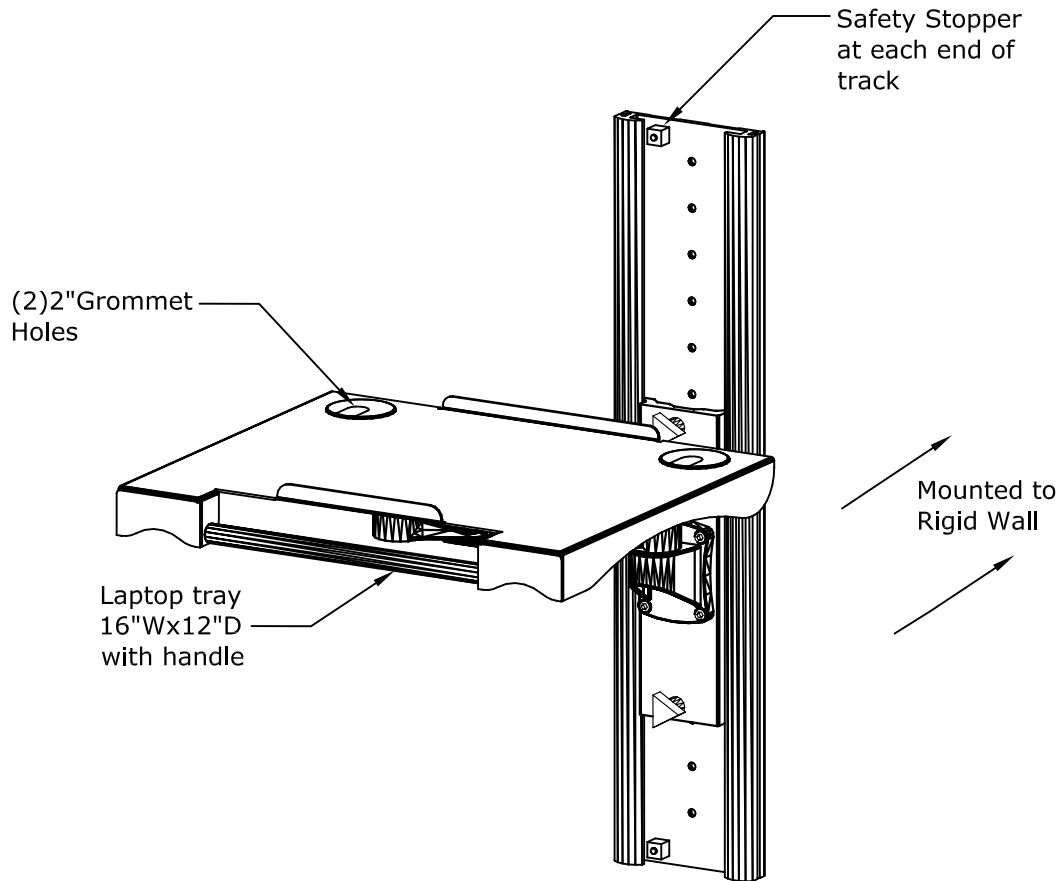


AFCZ566-01-LWM-01



NOTES :

MATERIAL :
AS NOTED ABOVE

TOLERANCES UNLESS OTHERWISE SPECIFIED
 FRACTIONAL ±1/64
 2 PLC. DEC. ±.01
 3PLC. DEC. ±.001
 ANGULAR ±.5°
 FINISH $\sqrt{32}$

DRAWN BY: PR

DATE: 03/11/2010

DESCRIPTION :
Laptop Mount

A P P R O V E D

ENG :

MFG :

QA :

SCALE :

SHEET : 1 OF 1

USED ON :

PATH : L:\Final_Assbly\Access.\Monitor Arms\
Z series\2010

PDF NAME:
AFCZ566-01-LWM-01

REV: SIZE
A