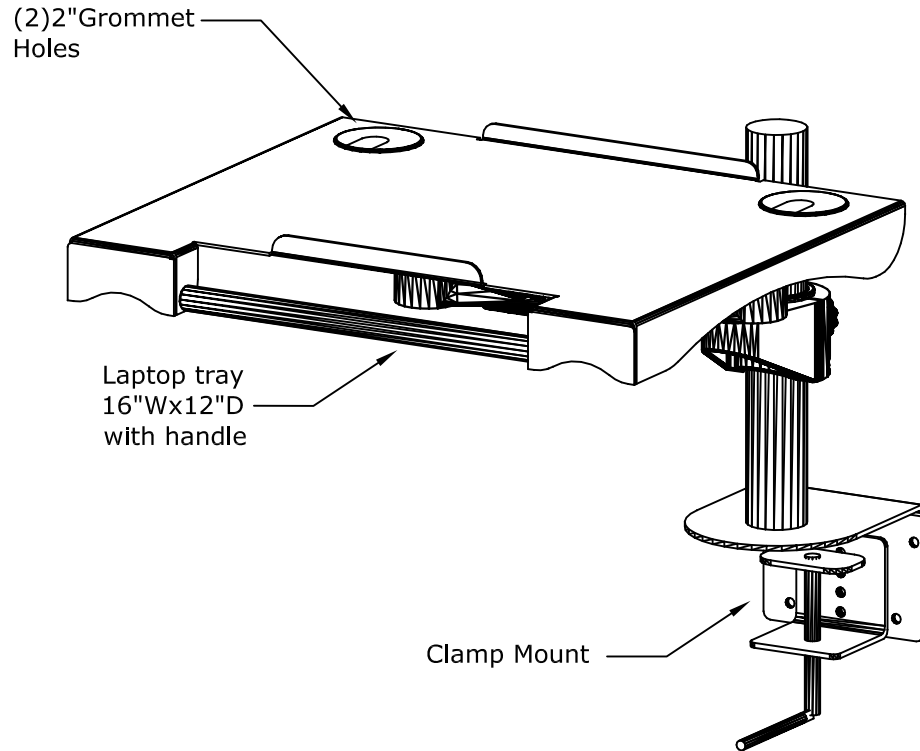
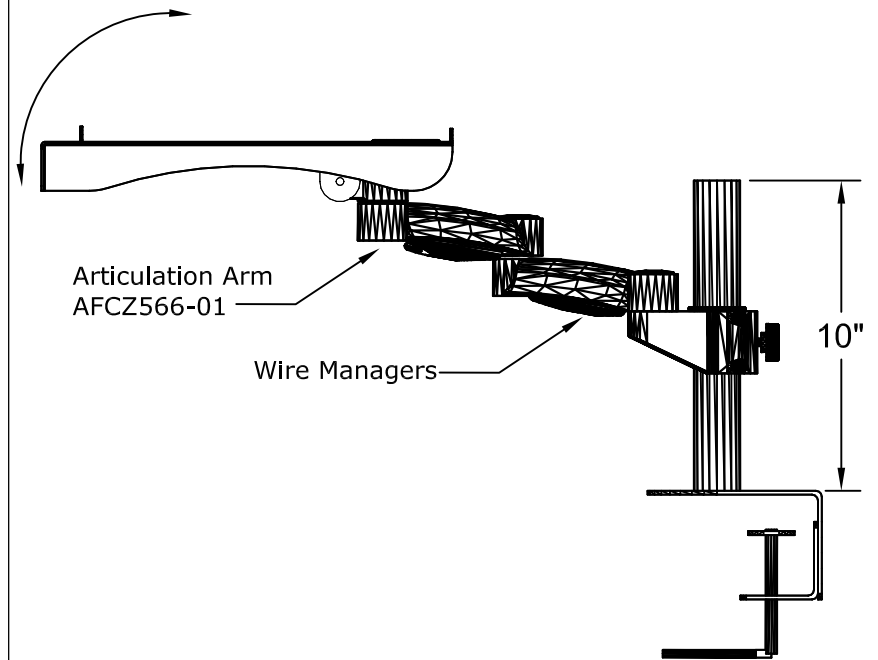


AFCZ566-01-LPM-01



ISOMETRIC VIEW



SIDE VIEW

NOTES :	MATERIAL :	DRAWN BY: PR	DATE: 03/19/2010	DESCRIPTION :
	AS NOTED ABOVE	A P P R O V E D		Laptop Mount
	TOLERANCES UNLESS OTHERWISE SPECIFIED	ENG :		USED ON :
	FRACTIONAL ±1/64 2 PLC. DEC. ±.01 3PLC. DEC. ±.001 ANGULAR ±.5° FINISH √32	MFG :		PATH : L:\Final_Assbly\Access.\Monitor Arms\Z series\2010
		QA :		PDF NAME: AFCZ566-01-LPM-01
		SCALE :	SHEET : 1 OF 1	REV: SIZE A