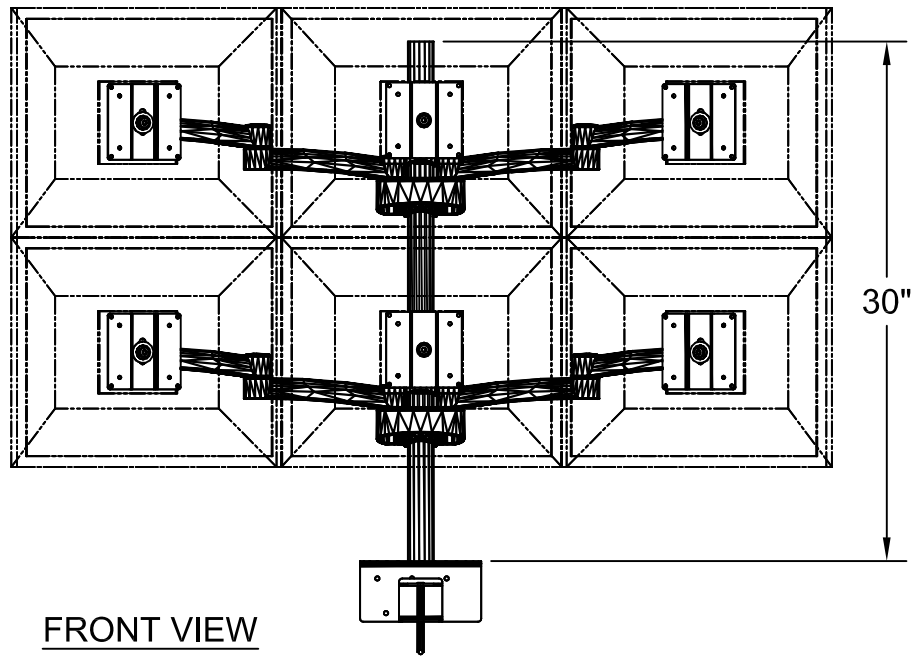


ISOMETRIC VIEW



FRONT VIEW

MATERIAL :	DRAWN BY : PR	DATE: 03/11/2010	DESCRIPTION :	
	A P P R O V E D		Monitor Arm-Desktop Mount	
TOLERANCES UNLESS OTHERWISE SPECIFIED FRACTIONAL ±1/64 2 PLC. DEC. ±.01 3PLC. DEC. ±.001 ANGULAR ±.5° FINISH √	ENG :		USED ON :	
	MFG :		PATH : Accessories/Monitor Arms/Z Series/2010	
	QA :		NUMBER :	LAYER :
	SCALE: N.T.S.	SHEET : 1 OF 1	AFCZ500-06-DMC-30P	REV: SIZE A