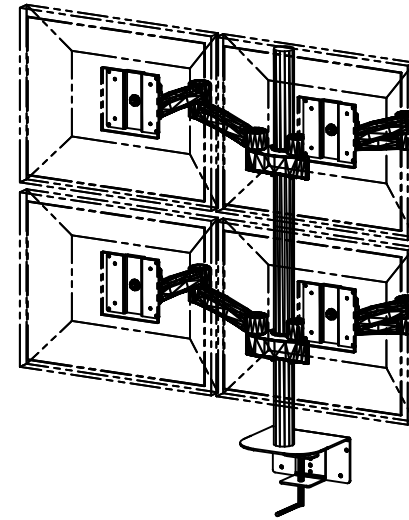
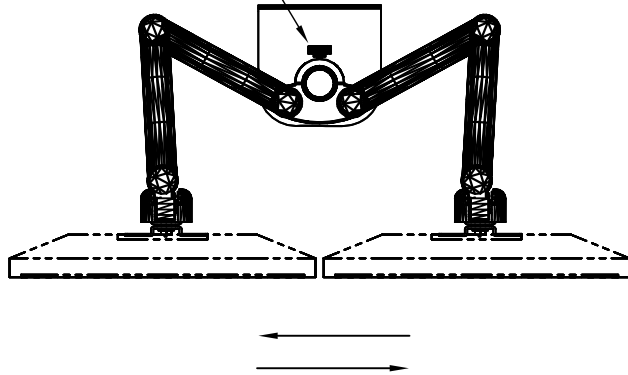
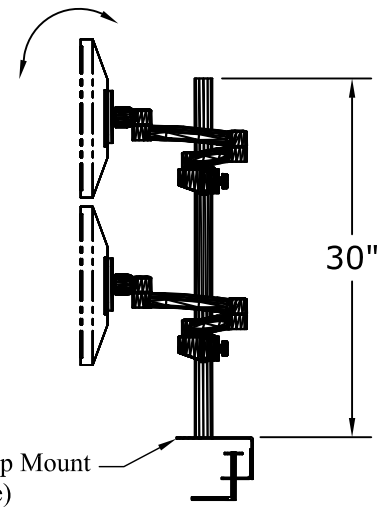
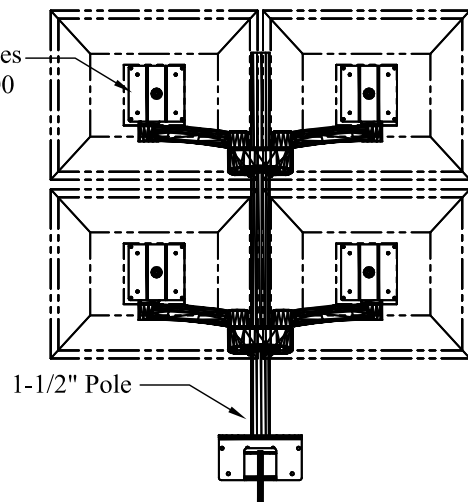


Knob For Tension



Monitor Plates VESA 75/100



NOTES :

MATERIAL :
AS NOTED ABOVE

TOLERANCES UNLESS OTHERWISE SPECIFIED
FRACTIONAL ±1/64
2 PLC. DEC. ±.01
3PLC. DEC. ±.001
ANGULAR ±.5°
FINISH √

DRAWN BY : PR

DATE: 03/11/2010

A P P R O V E D

DESCRIPTION :
MONITOR ARM- DESKTOP MOUNT

ENG :

MFG :

QA :

SCALE : N.T.S.

SHEET : 1 OF 1

USED ON :

PATH :
ACCESSORIES/ MONOTOR ARM/Z SERIES/2010

PDF NAME:
AFCZ500-04-DMC-30P

FOLDER :

REV: SIZE
A