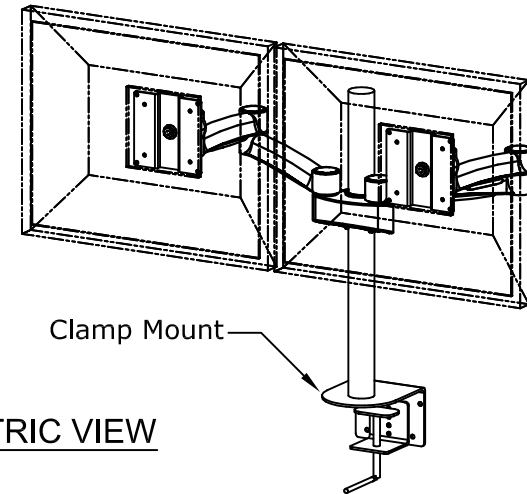
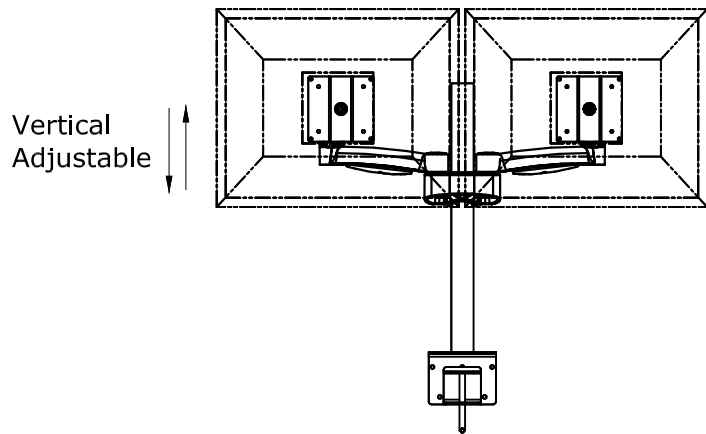


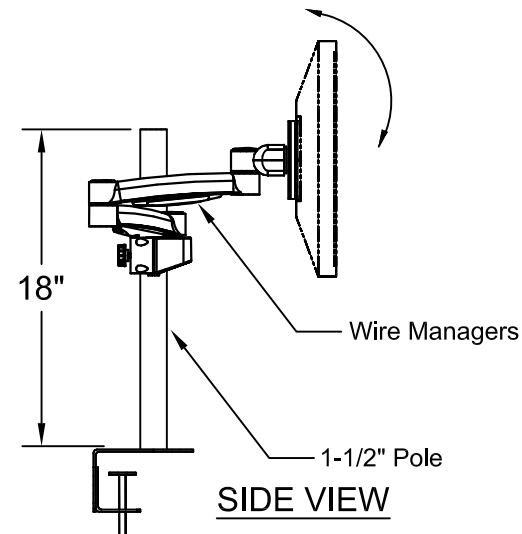
TOP VIEW



ISOMETRIC VIEW



FRONT VIEW



SIDE VIEW

NOTES :

MATERIAL :
AS NOTED ABOVE

TOLERANCES UNLESS OTHERWISE SPECIFIED
FRACTIONAL ±1/64
2 PLC. DEC. ±.01
3PLC. DEC. ±.001
ANGULAR ±.5°
FINISH √

DRAWN BY : PR

DATE: 03/11/2010

DESCRIPTION :

Monitor Mounts – Desktop Mount

A P P R O V E D

ENG :

MFG :

QA :

SCALE : N.T.S.

SHEET : 1 of 1

USED ON :

PATH :

FinalAssemblies/Accessories/MonitorsArms/Z-Series/2010

PDF NAME:

AFCZ500-02-DMC-18P

FOLDER :

REV: SIZE
A