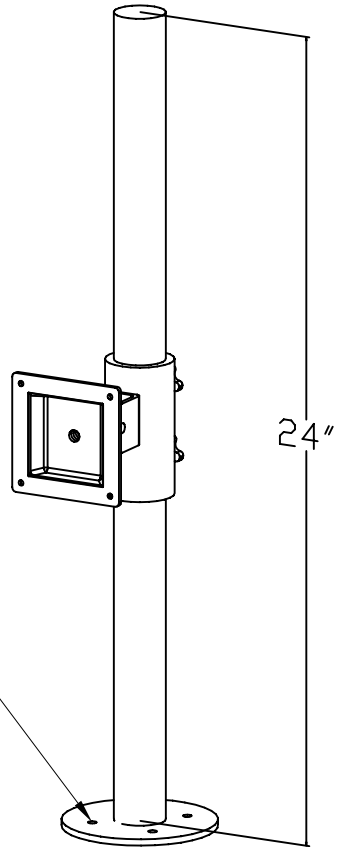
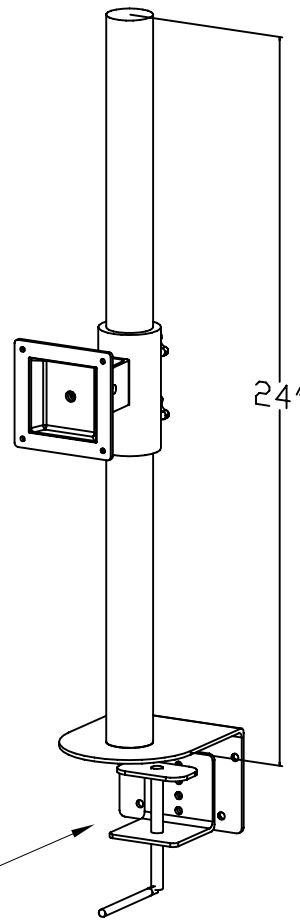


AFCPOLE-G



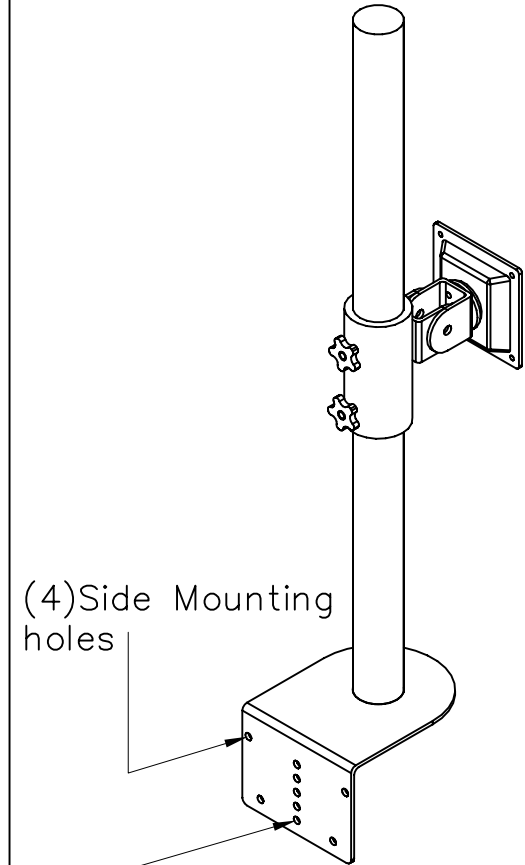
4.5" Dia Top Mount plate with  
 (4) 0.2" Diameter mounting holes

AFCPOLE-C1



Clamp Mount

AFCPOLE-C2



(4) Side Mounting holes

Clamp Mount modified to side mount by unscrewing the clamp attachment.

NOTES :

MATERIAL :  
 AS NOTED ABOVE

TOLERANCES UNLESS OTHERWISE SPECIFIED  
 FRACTIONAL ±1/64  
 2 PLC. DEC. ±.01  
 3PLC. DEC. ±.001  
 ANGULAR ±.5°  
 FINISH √

DRAWN BY : VGM.

DATE: 07-09-07

A P P R O V E D

ENG :

MFG :

QA :

SCALE : N.T.S.

SHEET :

DESCRIPTION :

AfcPole Options

USED ON :

NYP

PATH :

\\customwork\customers\NYP

PDF NAME:

AFC POLE OPTIONS

FOLDER :

REV: SIZE  
 A