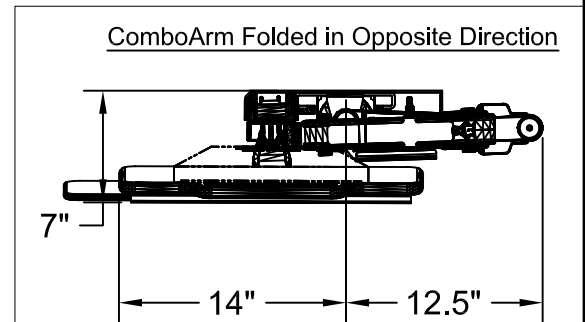


TOP VIEWS



NOTES :

Monitor Weight ≤ 20lbs

MATERIAL :

AS NOTED ABOVE

TOLERANCES UNLESS OTHERWISE SPECIFIED

FRACTIONAL ±1/64
2 PLC. DEC. ±.01
3PLC. DEC. ±.001
ANGULAR ±.5°
FINISH $\sqrt{32}$

DRAWN BY: PR/BD

DATE: 08/10/10

A P P R O V E D

ENG :

MFG :

QA :

SCALE :

SHEET : 1 OF 1

DESCRIPTION :

AFC 7808

USED ON :

PATH : L:\Final_Assbly\Access.\Monitor Arms\
Wall mount series\AFC7808

PDF NAME:

AFC7808_12_WMP-03

REV: SIZE
A